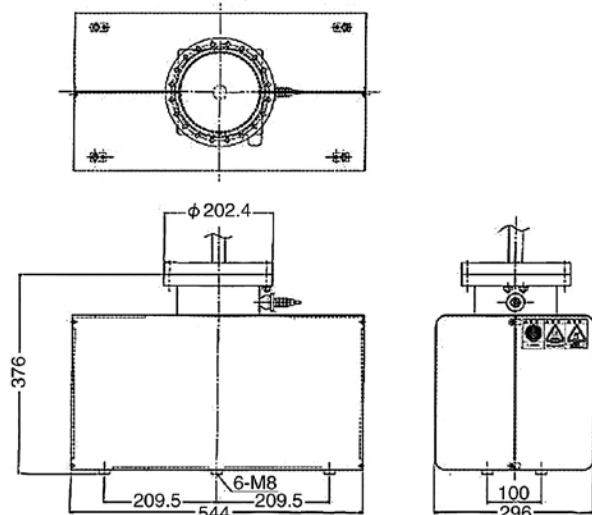


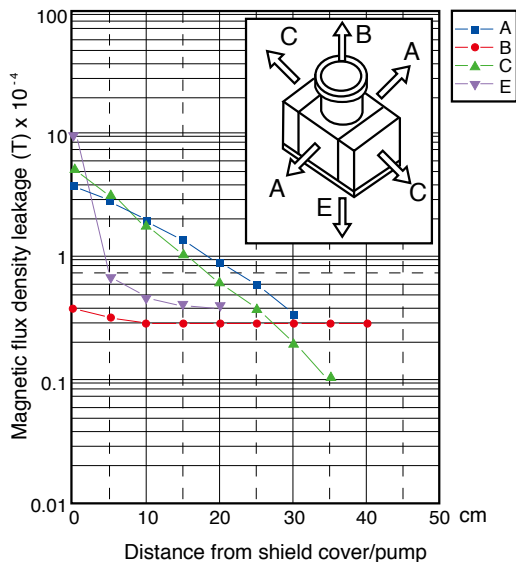
Acter Pump PST-400CXII/PST-400AXII



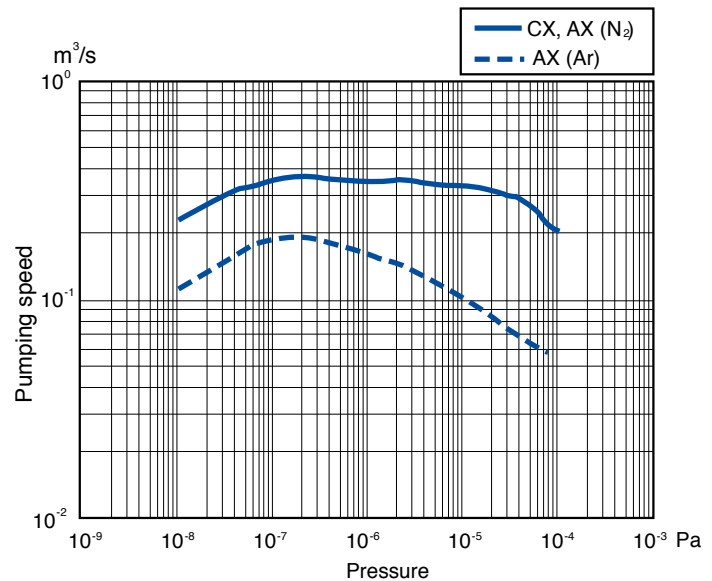
Dimensions (unit: mm)



Magnetic Flux Density Leakage



Pumping Speed Curve



Specifications

Item	Model	PST-400CX II	PST-400AX II
Pumping speed (operating pumping speed) at 1 x 10 ⁻⁷ Pa	N ₂	0.36m ³ /s	0.36m ³ /s
	Ar	0.04m ³ /s	0.19m ³ /s
Ultimate pressure	Pa	10 ⁻¹⁰	
Operating pressure	Pa	< 8.0 x 10 ⁻³ (recommended value) (Maximum operating pressure: 1.3 x 10 ⁻²) *when GST-07L controller is used	
Inner volume	m ³	Approx. 0.014	
Number of acter elements		CX II type cells x 4 sets	AX II type cells x 4 sets
Connecting flange type		UFC203 ^{*1}	
Recommended controller		GST-07L	
Voltage applied		DC+7.5 kV	
Standards bakeout temperature	°C	250 (resistant to high temperature up to 350)	
Weight	kg	Approx. 124	
Ambient operating environment (atmospheric conditions)	Temperature range °C	0-40	
	Humidity range	Less than 85 (no dew)	
Dimensions W x D x H ^{*2}	mm	296 x 544 x 376	
Power required by heater unit		Single phase 200 V, approx. 800 W (with shield cover)	

^{*1} UFC is an ultra-high vacuum flange for metal gaskets complying with ULVAC standards. It meets JVIS (Japan Vacuum Industry Standards Association) and International standards (ISO) .

^{*2} W=Width, D=Depth, H=Height