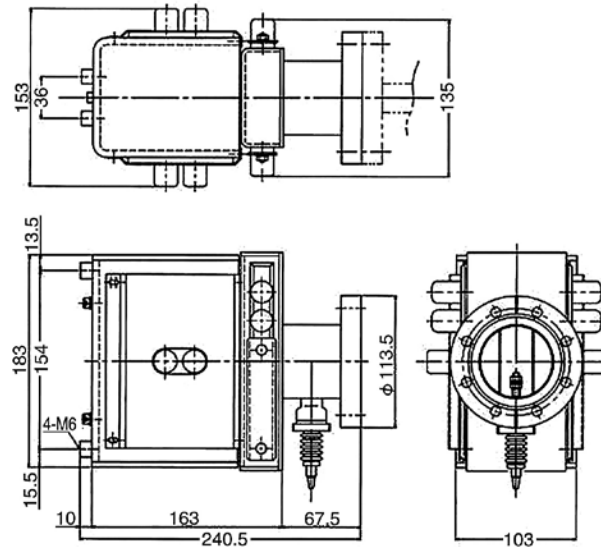


Acter Pump PST-050CU/PST-050AU

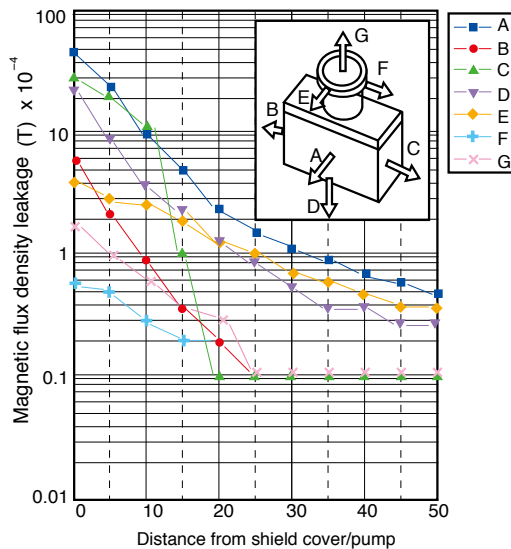


Dimensions

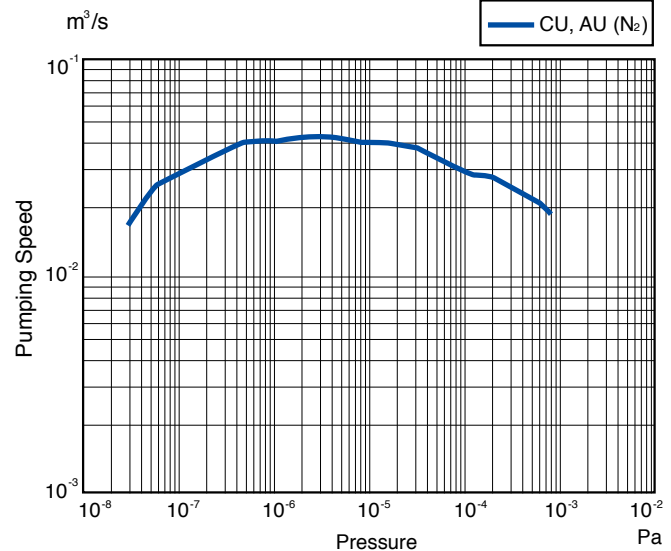
(unit: mm)



Magnetic Flux Density Leakage



Pumping Speed Curve



Specifications

Item	Model	PST-050CU	PST-050AU
		Active gas pumping type	Inert gas pumping type
Pumping speed (operating pumping speed)	N_2	0.045 m^3/s (at 1×10^{-7} Pa 0.03 m^3/s)	
Ultimate pressure	Pa	10^{-9} level	
Operating pressure	Pa	$< 8 \times 10^{-3}$ (recommended value) (Maximum operating pressure: 1×10^{-2}) * when GST-07L controller is used	
Inner volume	m^3	Approx. 1.3×10^{-3}	
Number of acter elements		CX II type cells x 1 sets	AX II type cells x 1 sets
Connecting flange type		UFC114 *1	
Recommended controller		GST-07L	
Voltage applied		DC+7.5 kV	
Standards bakeout temperature	$^{\circ}C$	250 (resistant to high temperature up to 350)	
Weight	kg	Approx. 12 with a heater	
Ambient operating environment (atmospheric conditions)	Temperature range $^{\circ}C$ Humidity range	0 - 40 Less than 85 (no dew)	
Dimensions W x D x H *2	mm	209x113.5x240.5 without a heater	209x163x240.5 with a heater
Power required by heater unit	V	Single phase 200 V	

*1 UFC is an ultra-high vacuum flange for metal gaskets complying with ULVAC standards. It meets JVIS (Japan Vacuum Industry Standards Association) and International standards (ISO).

*2 W=width, D=depth, H=Height