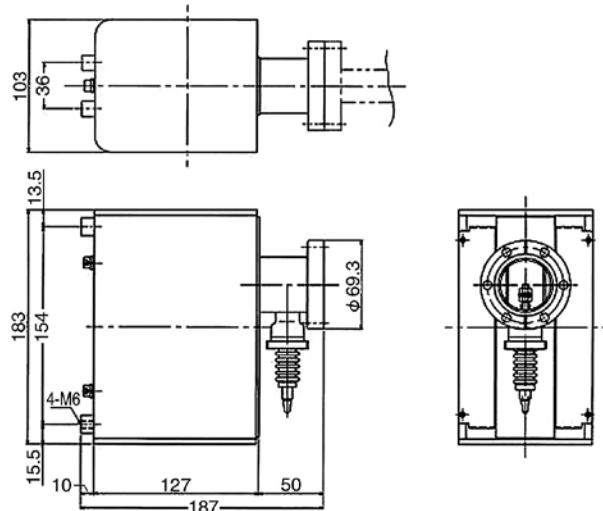


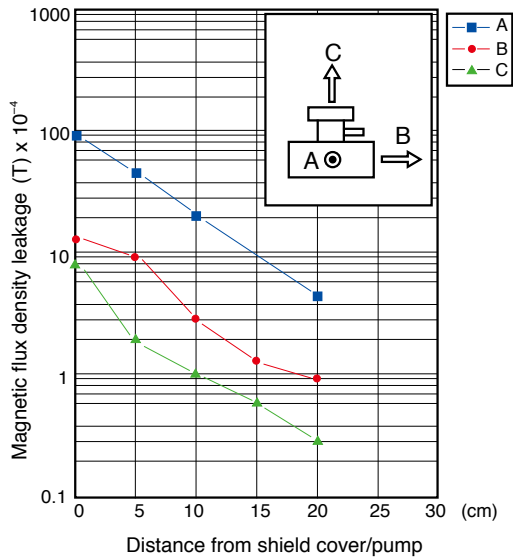
Acter Pump PST-030CU/PST-030AU



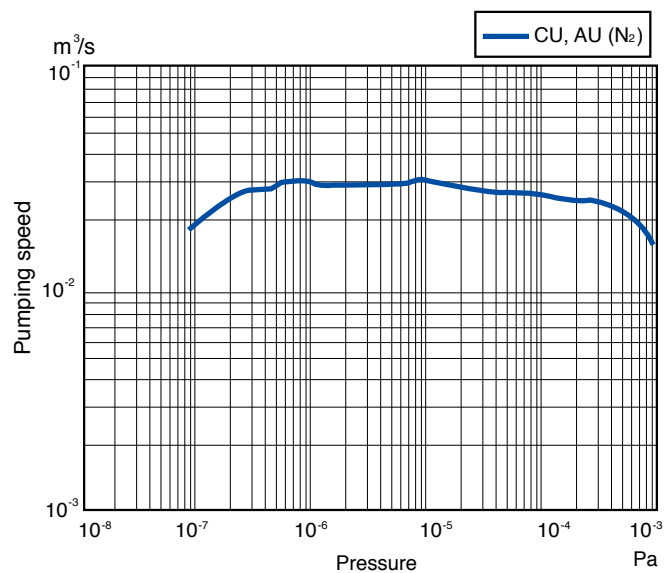
Dimensions (unit: mm)



Magnetic Flux Density Leakage



Pumping Speed Curve



Specifications

| Item | Model | PST-030CU | PST-030AU |
|--|----------------------|---|--|
| | | Active gas pumping type | Inert gas pumping type |
| Pumping speed (operating pumping speed) | N ₂ | | 0.03m ³ /s (at 1 x 10 ⁻⁷ Pa 0.02 m ³ /s) |
| Ultimate pressure | Pa | | 10 ⁻⁹ level |
| Operating pressure | Pa | | < 8 x 10 ⁻³ (recommended value) (Maximum operating pressure 1 x 10 ⁻²) *when GST-07L controller is used |
| Inner volume | m ³ | | Approx. 6.7 x 10 ⁻⁴ |
| Number of acter elements | | CXII type cells x 1 sets | AXII type cell x 1 sets |
| Connecting flange type | | UFC070 *1 | |
| Recommended controller | | GST-07L | |
| Voltage applied | | DC + 7.5 kV | |
| Standards bakeout temperature | °C | 250 (resistant to high temperature up to 350) | |
| Weight | kg | approx. 9.5 kg | |
| Ambient operating environment (atmospheric conditions) | Temperature range °C | 0 - 40 | |
| | Humidity range | Less than 85 (no dew) | |
| External dimensions W x D x H *2 | mm | 183 x 103 x 187 | |

*1 UFC is an ultra-high vacuum flange for metal gaskets complying with ULVAC standards. It meets JVIS (Japan Vacuum Industry Standards Association) and International standards (ISO).

*2 W=Width, D=Depth, H=Height